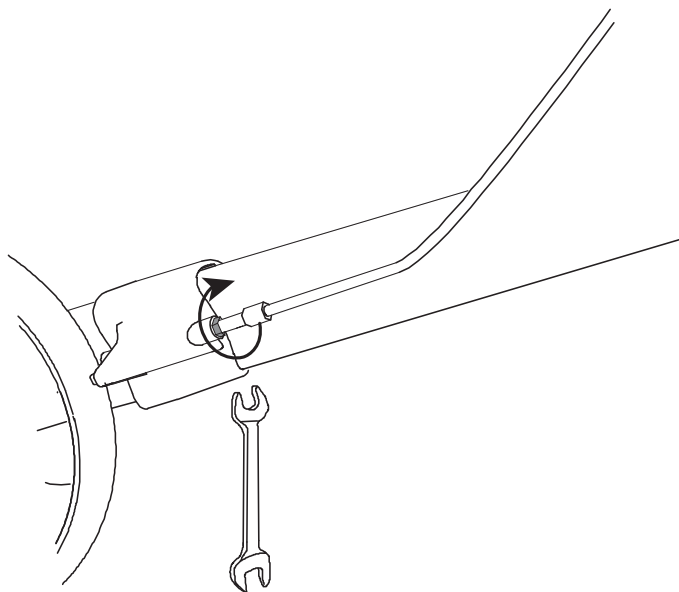
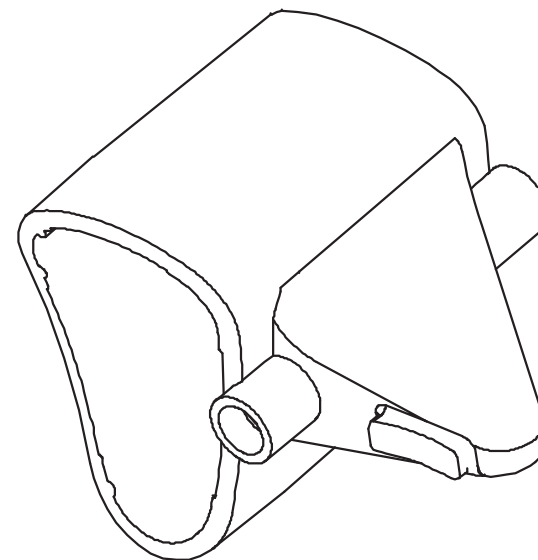


8



Assembly instruction

Brake block for the following Mobilex rollators:
Leopard, Buffalo, Gepard, Lion, Tiger, Tiger Outdoor
and Panda (set for 2 wheels)



Item no. 31232D

